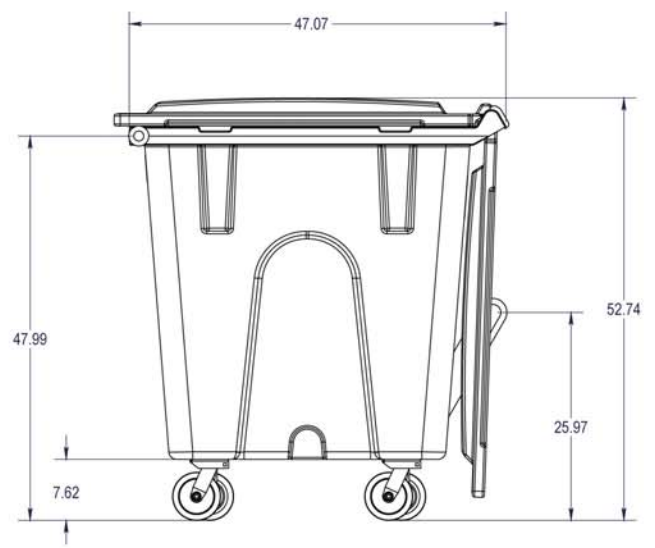
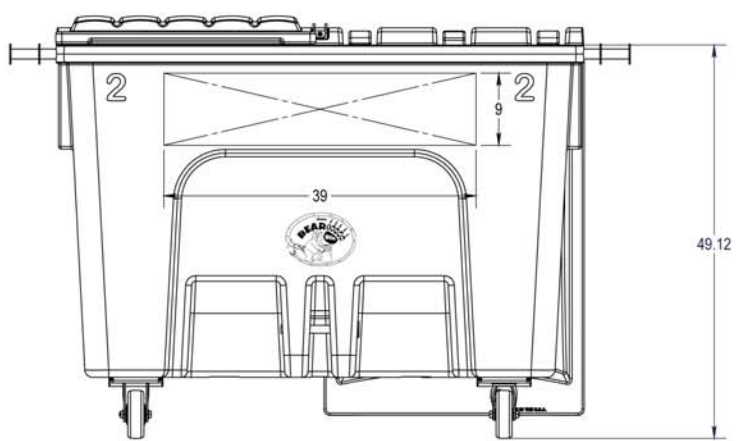
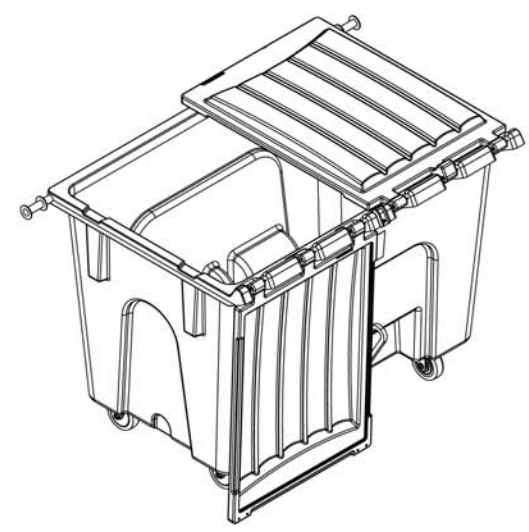
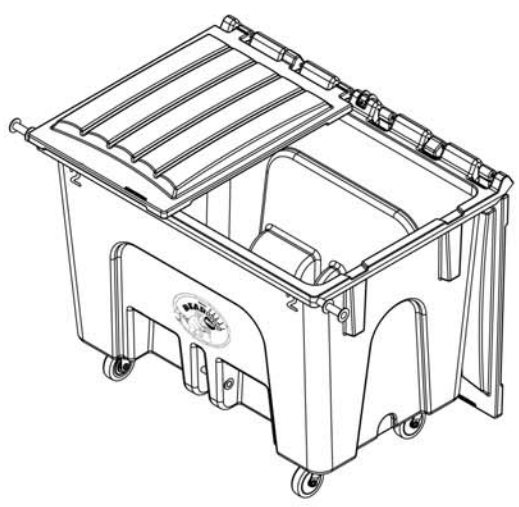
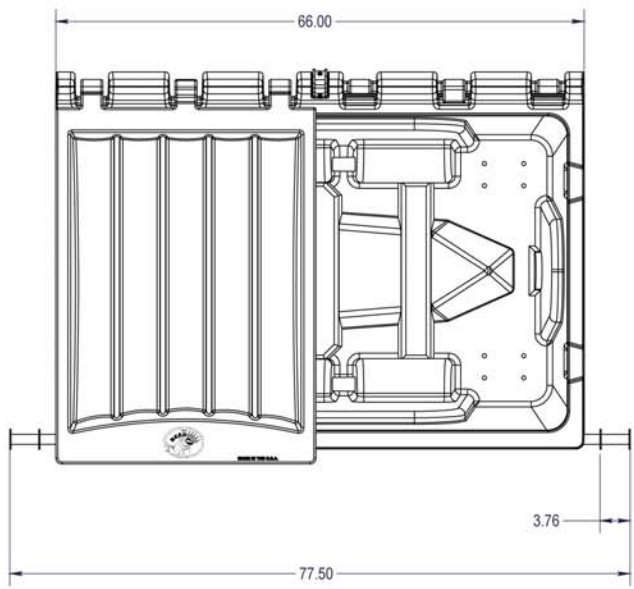


4

3

2

1



**SPECS:**  
**APPROXIMATE VOLUME: 1.8 CU. YARDS**  
**APPROXIMATE WEIGHT: 245 LBS (WITH CASTERS AND LIDS)**  
**LOAD CAPACITY: 2000 LBS**  
**TRUCK QTY: 60**

PROPRIETARY AND CONFIDENTIAL  
 THE INFORMATION CONTAINED IN THIS  
 DRAWING IS THE SOLE PROPERTY OF  
 BEARICUDA INC.

UNLESS OTHERWISE SPECIFIED:		NAME	DATE
DIMENSIONS ARE IN INCHES			
TOLERANCES:		DRAWN	
FRACTIONAL ±		CHECKED	
ANGULAR: MATCH ±	BEND ±	ENG APPR.	
TWO PLACE DECIMAL ±	THREE PLACE DECIMAL ±	MFG APPR.	
INTERPRET GEOMETRIC TOLERANCING PER:		G.A.	
MATERIAL:		COMMENTS:	
FINISH:			
NEXT ASSY	USED ON		
APPLICATION	DO NOT SCALE DRAWING		

<b>BEARICUDA INC.</b>		
TITLE: <b>CART126</b>		
SIZE: <b>C</b>	DWG. NO.	REV: <b>G</b>
SCALE: 1:24	WEIGHT:	SHEET 1 OF 1

4

3

2

1