

Bear Proof Front Single Container

Heavy duty refuse container designed for safe, secure and convenient use in outdoor parks and recreation areas.

Designed to easily fit most 95 gallon garbage receptacles.

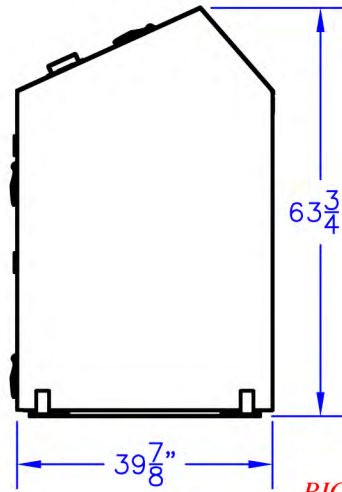
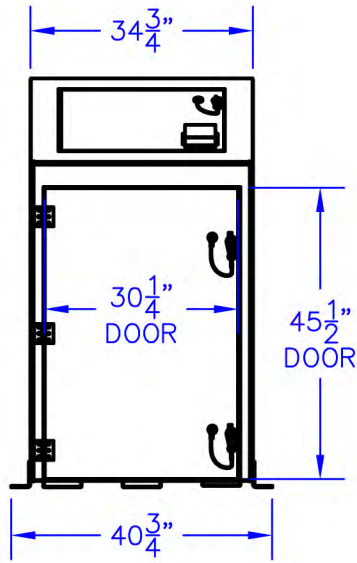
Components, layout and access are designed to be ADA friendly, easy and safe to operate.

Made in America with heavy duty tamper-proof hinges and high quality 14-gauge steel main body and doors, 12-gauge steel skids, 10-gauge steel hasps, refuse door frames and latch catches, $1\frac{1}{2}'' \times \frac{3}{16}''$ angle iron front door frames, and $\frac{1}{4}''$ steel mounting feet.

Options Include:

1. Locking Hasp and Latch Hook & Cable
2. Paddle Latch w/ Cover on Top Door

Vibrant finish using industry leading UV and corrosion resistant, weather proof powder coat offered in the standard colors shown:



FRONT VIEW

RIGHT VIEW



ISOMETRIC VIEW

FOREST GREEN



WHITE



GRAY



TAN



BLUE



BURGUNDY



BROWN



Bearicuda Inc
PO Box 56, 3 West Street, Suite 3E,
Litchfield, CT 06759-0056

PRODUCT: **PAK300**

DESCRIPTION: **95 Gallon Single Container**

DETAILS: **Standard Refuse Door Not Shown**

SCALE: **1:30**

DATE: **3/12/24**