

# Bear Proof Front Double Container

Heavy duty refuse container designed for safe, secure and convenient use in most outdoor public and residential areas. Designed to easily fit two of most 95 gallon garbage receptacles.

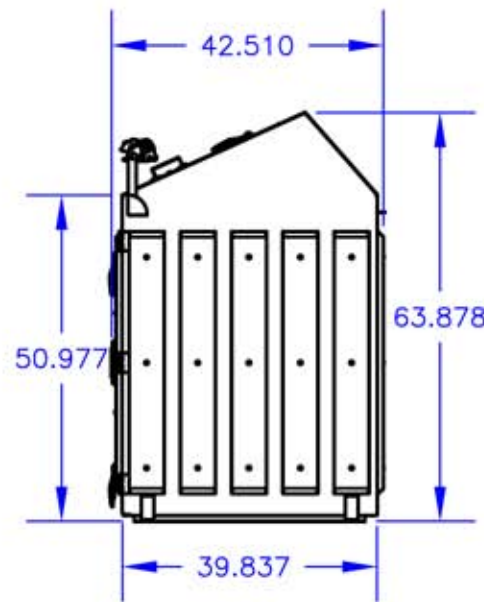
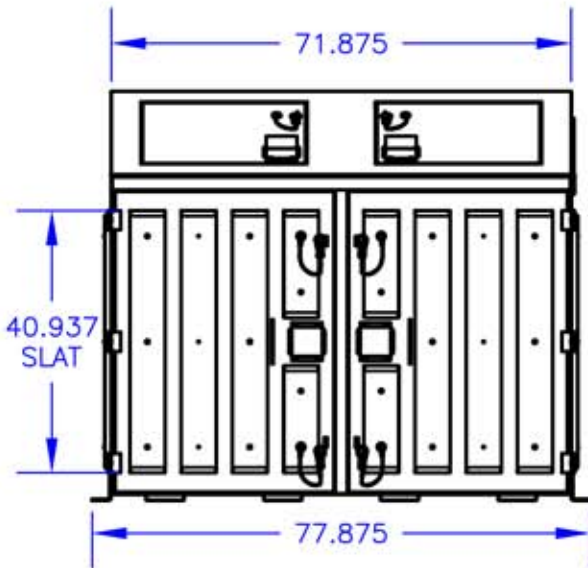
Overall dimension of receptacle when closed:  $63\frac{7}{8}$ " tall,  $77\frac{7}{8}$ " wide,  $39\frac{13}{16}$ " deep.

Made in America with heavy duty tamper-proof hinges and high quality 14-gauge steel main body and doors, 12-gauge steel skids, 10-gauge steel hasps, refuse door frames and latch catches,  $1\frac{1}{2}$ "x $\frac{3}{16}$ " angle iron front door frames,  $\frac{1}{4}$ " steel mounting feet and 16ga Steel Slats.

Optional Features Include:

1. Locking Hasp with Latch Hook & Cable
2. Paddle Latches & Covers
3. 16ga x6"x1" Steel Decorative Slats.

Vibrant finish using industry leading UV and corrosion resistant, weather proof powder coat offered in the standard colors shown:



FRONT VIEW

RIGHT VIEW



FOREST GREEN/OLIVE BROWN



FOREST GREEN/GRAY BEIGE



FOREST GREEN/BEIGE BROWN



FOREST GREEN/HAMMERED BLACK



BLUE/OLIVE BROWN



BLUE/GRAY BEIGE



BLUE/BEIGE BROWN



BLUE/HAMMERED BLACK



BLACK/OLIVE BROWN



BLACK/GRAY BEIGE



BLACK/BEIGE BROWN



BLACK/HAMMERED BLACK

ISOMETRIC VIEW



**Bearcuda Inc**

PO Box 56, 3 West Street, Suite 3E,  
Litchfield, CT 06759-0056

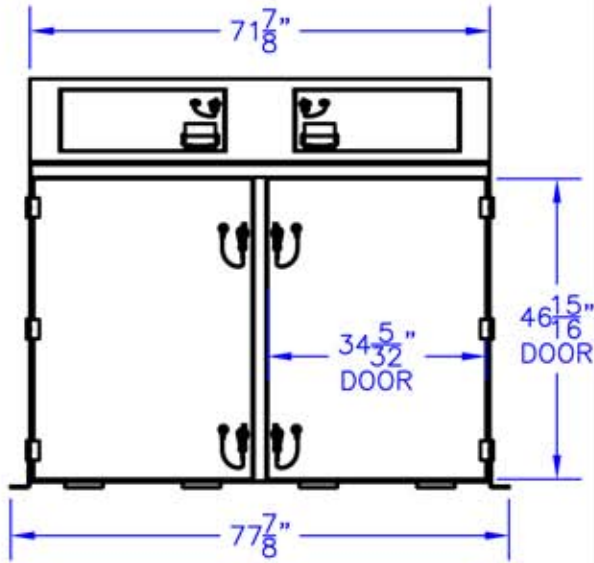
PRODUCT: **PAK301LS**

DETAILS: **STANDARD REFUSE AND FRONT DOORS NOT SHOWN**

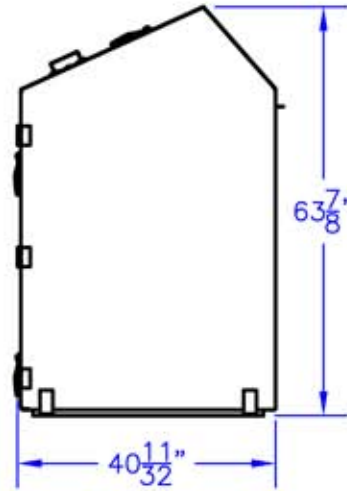
DESCRIPTION: **BEAR PROOF LARGE FRONT DOUBLE 95 GALLON CONTAINER-PADDLE LATCH REFUSE AND FRONT DOORS w/DECORATIVE SLATS**

SCALE: **1:24**

DATE: **11-27-23**



FRONT VIEW



RIGHT VIEW



ISOMETRIC VIEW



FOREST GREEN

## Bear Proof Front Double Container Large Door

Heavy duty refuse container designed for safe, secure and convenient use in outdoor parks and recreation areas.

Designed to easily fit two 55 gallon garbage receptacles.

Components, layout and access are designed to be ADA friendly, easy and safe to operate.

Made in America with heavy duty tamper-proof hinges and high quality 14-gauge steel main body and doors, 12-gauge steel skids and paddle latch covers, 10-gauge steel hasps, refuse door frames and latch catches, 1 1/2" x 3/16" angle iron front door frames, and 1/4" steel mounting feet.

Optional Features Include:

1. Locking Hasp and Latch Hook & Cable
2. Paddle Latch with Safety Release & Cover

Vibrant finish using industry leading UV and corrosion resistant, weather proof powder coat offered in the standard colors shown:



BLUE



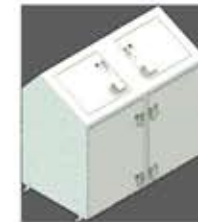
GRAY



BURGUNDY



TAN



WHITE



BROWN

**Bearicuda Inc**

PO Box 56, 3 West Street, Suite 3E,  
Litchfield, CT 06759-0056

PRODUCT: **PAK301L**

DESCRIPTION: **95 GALLON DOUBLE CONTAINER LARGE**

DETAILS: **PADDLE LATCH REFUSE DOOR. STANDARD NOT SHOWN.**

SCALE: **1:30**

DATE: **05-01-23**