

# Bear Proof Front Double Container

Heavy duty refuse container designed for safe, secure and convenient use in most outdoor public and residential areas. Designed to easily fit two 32 gallon garbage receptacles.

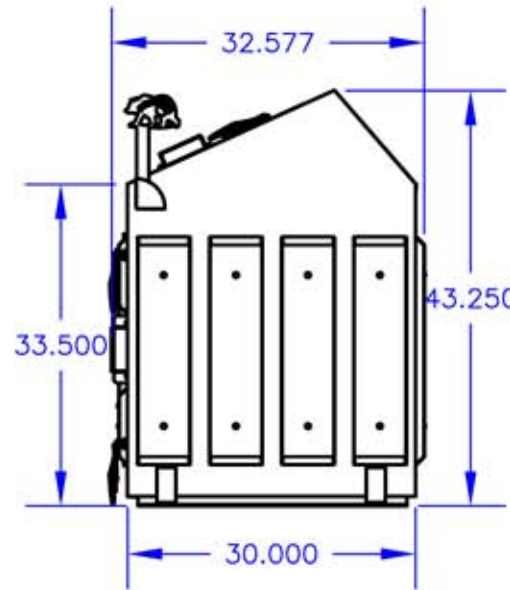
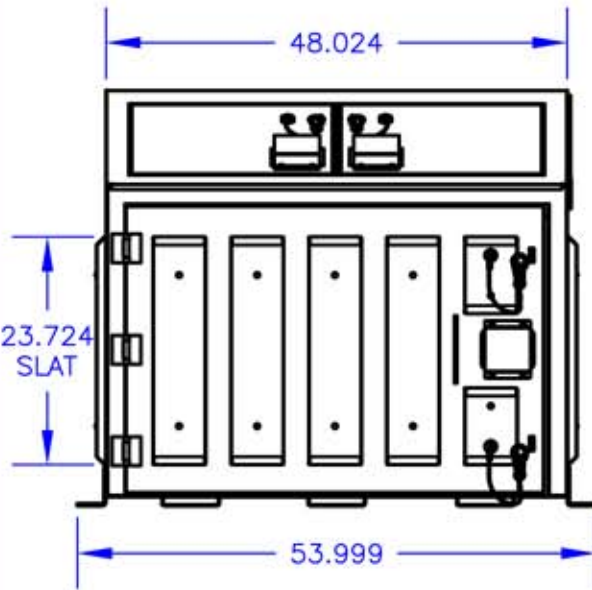
Overall dimension of receptacle when closed: 43 $\frac{1}{4}$ " tall, 54" wide: 30" deep. Receptacle meets ADA guidelines for forward and side reach with lower hasp unfastened.

Made in America with heavy duty tamper-proof hinges and high quality 14-gauge steel main body and doors, 12-gauge steel skids, 10-gauge steel hasps, refuse door frames and latch catches, 1 $\frac{1}{2}$ "x $\frac{3}{16}$ " angle iron front door frames,  $\frac{1}{4}$ " steel mounting feet and 16ga Steel Slats.

Optional Features Include:

1. Locking Hasp with Latch Hook & Cable
2. Paddle Latches & Covers
3. 16ga x6"x1" Steel Decorative Slats.

Vibrant finish using industry leading UV and corrosion resistant, weather proof powder coat offered in the standard colors shown:



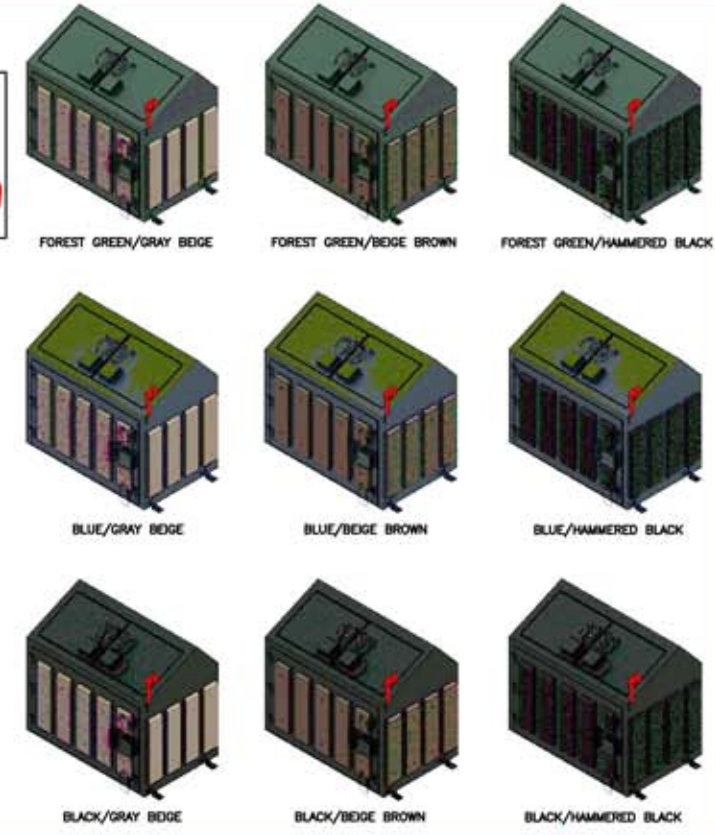
FRONT VIEW

RIGHT VIEW



ISOMETRIC VIEW

FOREST GREEN/OLIVE BROWN



FOREST GREEN/GRAY BEIGE

FOREST GREEN/BEIGE BROWN

FOREST GREEN/HAMMERED BLACK

BLUE/OLIVE BROWN

BLUE/GRAY BEIGE

BLUE/BEIGE BROWN

BLUE/HAMMERED BLACK

BLACK/OLIVE BROWN

BLACK/GRAY BEIGE

BLACK/BEIGE BROWN

BLACK/HAMMERED BLACK

# Bear Proof Double Container

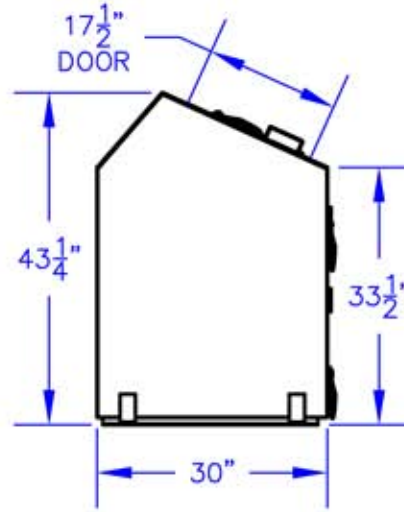
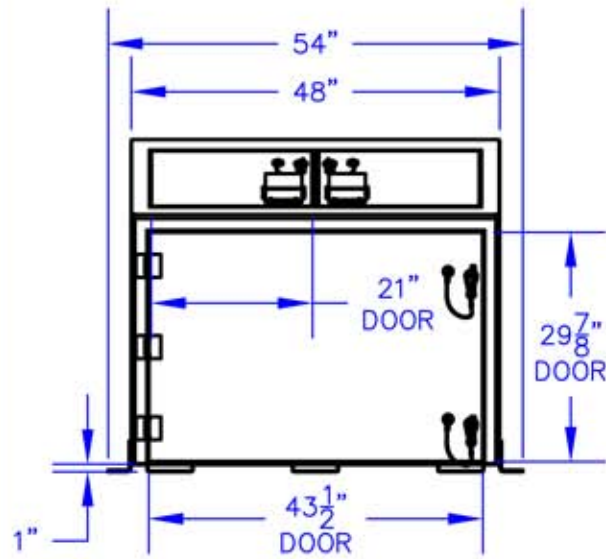
Heavy duty refuse container designed for safe, secure and convenient use in outdoor parks and recreation areas.

Designed to easily fit two 32 gallon garbage receptacle.

Components, layout and access are designed to be ADA friendly, easy and safe to operate.

Made in America with heavy duty tamper-proof hinges and high quality 14-gauge steel main body and doors, 12-gauge steel skids and paddle latch covers, 10-gauge steel hasps, refuse door frames and latch catches,  $1\frac{1}{2}'' \times \frac{3}{16}''$  angle iron front door frames, and  $\frac{1}{4}''$  steel mounting feet.

Approx. Weight w/o Hardware: 246 lbs



FRONT VIEW

SIDE VIEW

Features Include:

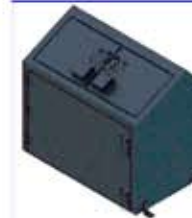
1. Locking Hasp and Latch Hook & Cables
2. Paddle Latch & Cover

Vibrant finish using industry leading UV and corrosion resistant, weather proof powder coat offered in the standard colors shown:



ISOMETRIC VIEW

FOREST GREEN



BLUE



GRAY



BURGUNDY



TAN



WHITE



BROWN



**Bearicuda Inc**  
PO Box 56, 3 West Street, Suite 3E,  
Litchfield, CT 06759-0056

PRODUCT: **PAK302**

DESCRIPTION: **32 GALLON DOUBLE CONTAINER**

DETAILS: **STD REFUSE DOORS (NOT SHOWN)**

SCALE: **1:25**

DATE: **11-14-23**