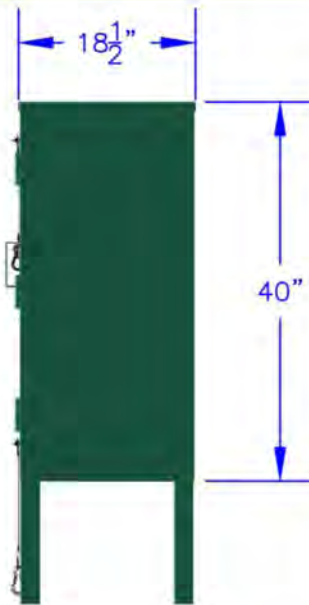


FRONT VIEW



RIGHT VIEW



ISOMETRIC VIEW

FOREST GREEN

## Campsite Food Storage Locker

Heavy duty **16** cubic foot storage locker designed for safe, secure and convenient food storage in outdoor parks and recreation areas.

Includes Double Doors and one Paddle Latch with Safety Release and Cover. Components, layout and access are designed to be ADA Compliant, easy and safe to operate.

Optional Features Include:

1. Locking Hasp with Latch Hook & Cable
2. Fixed Shelf with 10" of Vertical Space
3. Mount Post(s) for 36" Deep Ground Anchor

Made in America with heavy duty components, hinges and high quality 14-gauge steel for main body/shelves & 12-gauge steel for the top. Mounting foot plates included for secure ground anchors.

Vibrant finish using industry leading UV and corrosion resistant, weather proof powder coat offered in the standard colors shown.



BLUE



GRAY



BURGUNDY



TAN



WHITE



BROWN



BEARICUDA BINS - PO Box 56, 3 West St.,  
Ste 3E, Litchfield, CT 06759-0056 877-232-7428  
www.bearicuda.com

PRODUCT: Whistler Outdoor Locker (LOC101D)

DESCRIPTION: CAMPSITE FOOD STORAGE LOCKER DOUBLE 16 CU FT

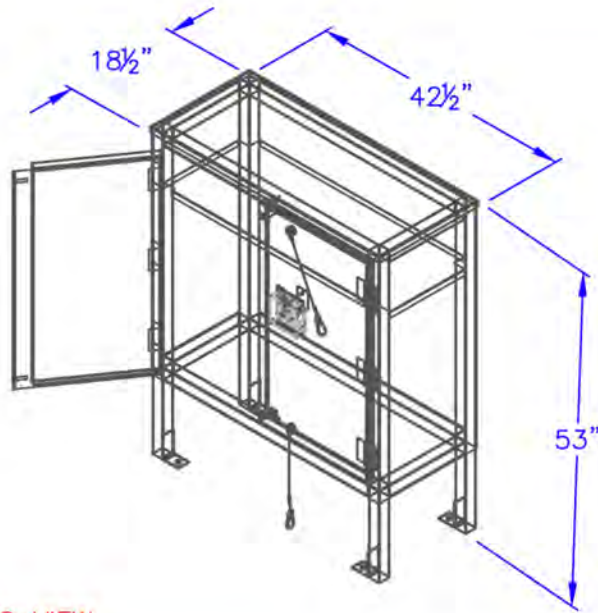
DETAILS: SHOWN WITH PADDLE LATCH, HASPS, LATCH HOOKS & SHELF OPTION

SCALE: 1:20

DATE: 06-01-23

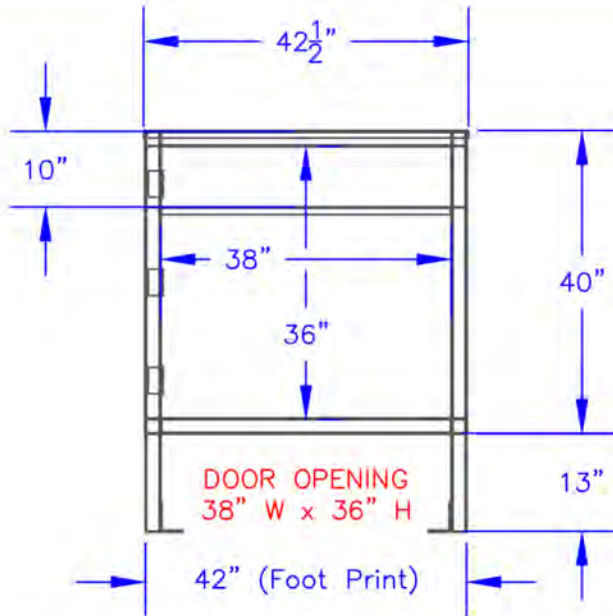
# 16 Cubic Foot Campsite Food Storage Locker

## Fabrication Specifications

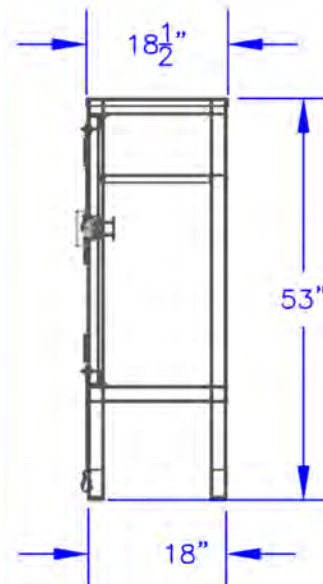


ISOMETRIC VIEW

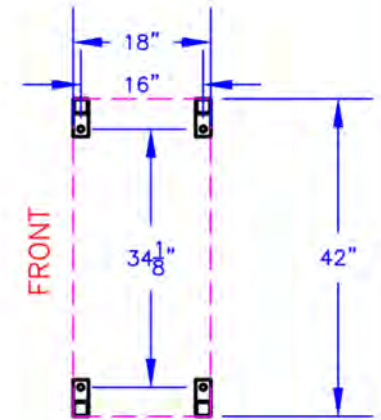
DIMENSIONS	42 1/2" Width x 18 1/2" Depth x 53" Height
INTERIOR SPACE	16 Cubic Feet (Approximate)
WEIGHT	240 Lbs. (Approximate - w/o Hardware)
FRAME	14 GA HR Steel 2" x 2" Square Tube
BODY & SHELVES	14 GA HR Steel
DOOR(S)	14 GA HR Steel
TOP	12 GA HR Steel
CATCHES & HASPS	10 GA HR Steel
HINGES	1/4" PLATE



FRONT VIEW



RIGHT VIEW



MOUNTING SPECS



FORREST GREEN



GRAY



BROWN



BLUE

